

Correct running of pneumatic equipments in industrial processes depends, most of cases, on steady and safe feed, i.e. feed realized by air being continuously pressure controlled and filtered too.

Domizi Snc included in their products range also the *Filter 970*, and in order to extend application possibilities, they produce it in two different versions, with outer chamber in Carbon steel, and in Stainless steel AISI 304; both versions can be fixed on the same line of air pipe, or on a wall thanks to L bracket, or fixed on the back of a panel : as described below.

Filter. Air is filtered by a cartridge made in sintered stainless steel, easy to be restored and replaced. Its chamber is provided with drain valve to take away the oil condensate present in feeding air.

Adjustment. The outgoing air pressure is kept steady by a diaphragm controlled by a load spring and by a pilot valve; the adjustment of this pressure is realized by acting on the screw loading the spring.

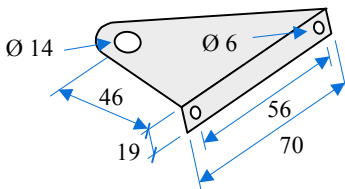
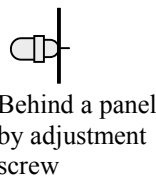
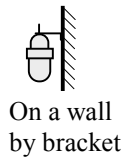
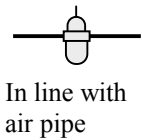
Operation range. The *Filter 970* can accept inlet air with pressure up to 150 psi (10,5 bar), and is available in 3 different outlet pressures : 0÷30 psi (0÷2,1 bar), 0÷60 psi (0÷4,2 bar), 0÷100 psi (0÷6,6 bar). The instrument, when adjusted at 20psi (1,4 bar) and feeded at 100psi (7 bar), assures a flow of 20 Nm³/h.

Connections. The *Filter 970* has 4 threaded holes 1/4" NPT-F, placed at 90° on the central body. The inlet air hole is marked **E**, while the remaining 3 outlet holes are marked **U** and may be connected to 3 users, or to 2 users + 1 manometer.

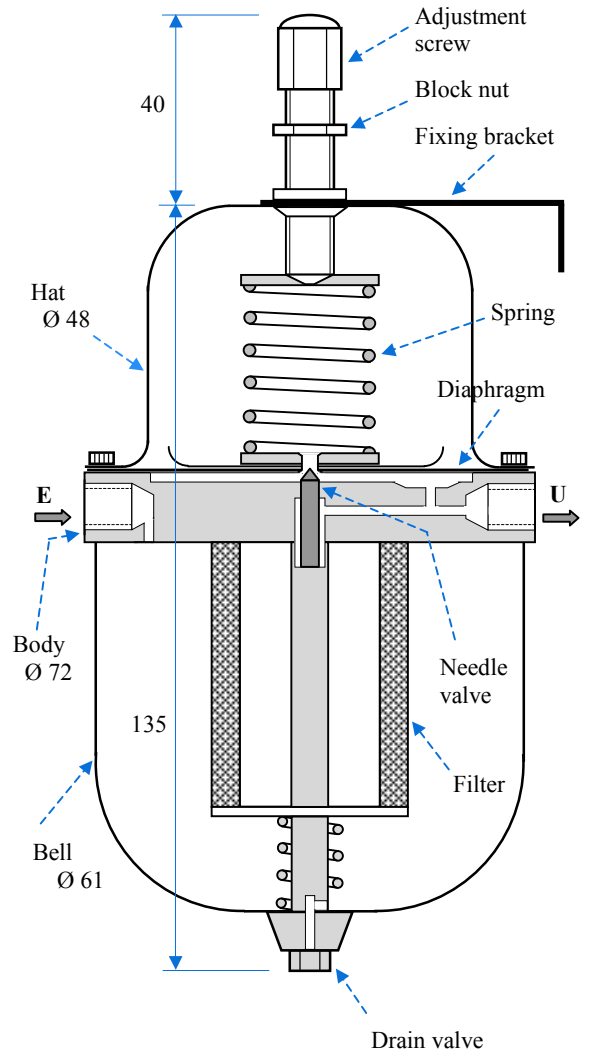
When not used, the outlet **U** holes shall be kept plugged by the socket head screws delivered on issue.

Manometer. Upon request, the *Filter 970* can be supplied together with a Ø50mm manometer for the outlet pressure. It is available in 3 scales : 0÷30 psi (0÷2,1 bar), 0÷60 psi (0÷4,2 bar), 0÷100 psi (0÷6,6 bar); it is supplied not mounted, so that installer himself can decide the most suitable position for him.

Fixing :



FIXING
BRACKET



COMPONENTS in :

- SB** Carbon steel, zinc plated : as per the side table
- SS** Stainless steel AISI 304 " " " "

ADJUSTMENT of outlet air pressure :

- 030** Pressure range 0 ÷ 30 psi (0÷2,1 bar)
- 060** " " 0 ÷ 60 psi (0÷4,2 bar)
- 100** " " 0 ÷ 100 psi (0÷6,6 bar)

MANOMETER :

- M0** No manometer
- M1** With 1 manometer

BRACKET :

- S0** No bracket
- S1** With 1 bracket

COMPONENTS	970-SB	970-SS
Hat	Carbon steel (*)	AISI 304
Body	Aluminium	AISI 304
Bell	Carbon steel (*)	AISI 304
Filter	Sintered	Sintered
Drain valve	Brass (*)	AISI 304
Needle valve	Brass	AISI 304
Diaphragm	Neoprene	Neoprene
Spring	Carbon steel (*)	AISI 304
Fixing bracket	Carbon steel (*)	AISI 304
Block nut	Brass (*)	AISI 304
Adjustment screw	Brass (*)	AISI 304

(*) Zinc plated

